



Summary

Packing list in	Quantity
Microwave Sensor Lamp LEDS 72PCS	1X
 Φ6 Plastic Expansion	3X
 4x30 Screw	3X
Instruction	1X

This is a microwave sensor switches controlled LED lights.,the microwave sensor was built into the light ,it has 72pcs high brightness LEDs inside ,with total power of 12 watts. The microwave sensor switch is a new type automatic switch that comes after voice switch ,and infrared sensor switch .The detection way has the below advantages compared with other as follows: 1. non-contact detection, 2. Suitable for bad environment, immune to temperature, humidity, noise, air, dust, light...3.RF interference ability.Simple installation+ easy wiring.

LX-LD-206P is an intelligent sensor lighting, has multi-functions and you can define the sensor switch to your exact need considering about the using condition and situation. This light is designed with several collocations, namely, the pure LED lamp without sensor; the automatic LED lamp with sensor; the automatic LED lamp with battery backup that is the Emergency Function. It is widely applied in the public, such as the corridor, lift exit, restroom, warehouse, factory, hotel, school and army etc.In the semi-brightness mode, whenever the motion signal approaching (2 m~10m), it will recover to full brightness automatically. When the motion signal away, it will return to semi-brightness till the delay time off.

IP 44

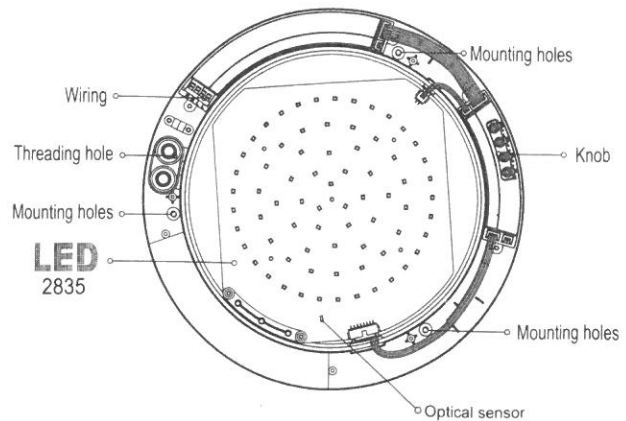
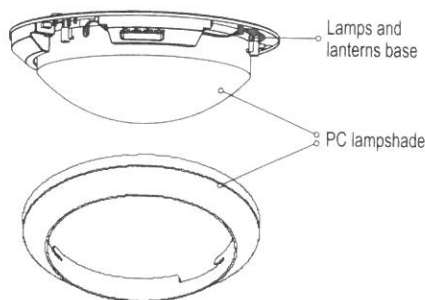


Use high quality PC lampshade.Strengthen the flexible refraction of light.And its function of anti-ultraviolet makes the shade not easy to turn yellow and be broken.



LED lamp consumes power 80% less than incandescent lamp and 50% less than fluorescent lamp.

Name of each part

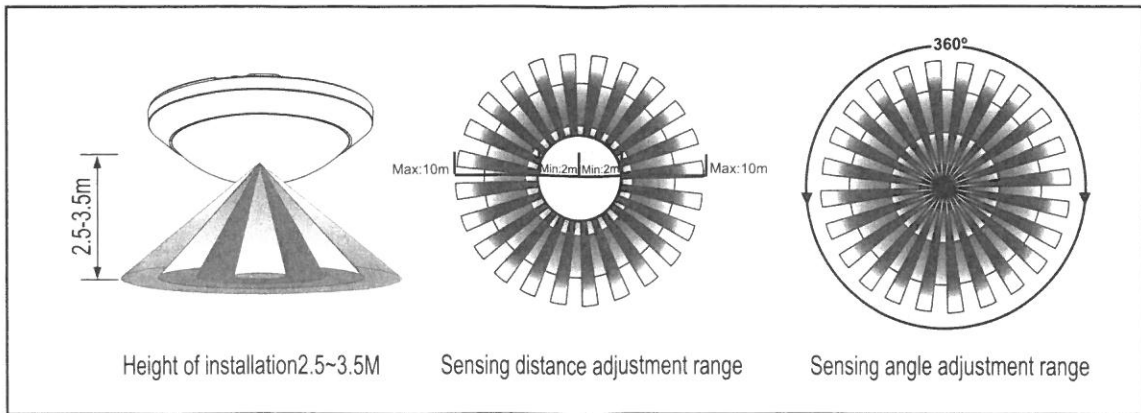


Specifications

Power source: 100-240V/AC, 50/60Hz
 Rated LED: 15W Max.(AC)
 Slaving capacity:1A Max(100-240V/AC)
 HF system: 5.8GHz
 Transmission power: <0.2mW
 Time setting: 10sec to 12min (adjustable)
 Detection range: 2-10m (radii.) (adjustable)

Light-control: 10-2000LUX(adjustable)
 Detection angle: 360°
 Power factor: >0.9
 Installation height: 2.5-3.5m (ceiling mount)
 Standby power:<0.5W
 LED quantity: 72PCS
 Working temperature: -20~+55 C

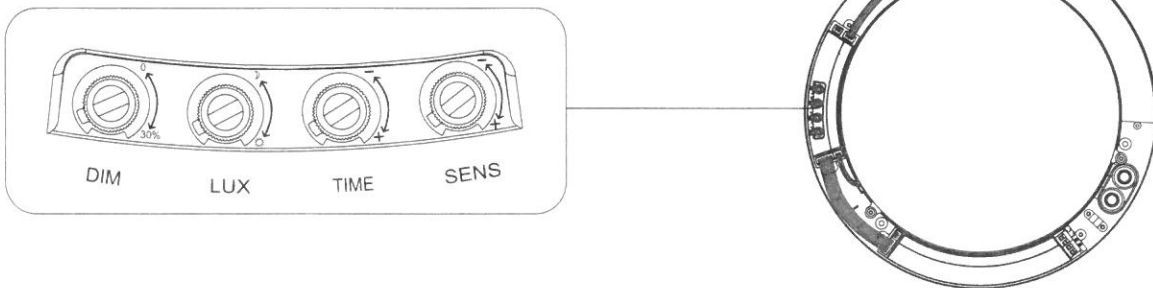
Information sensor



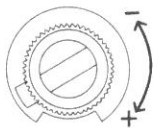
Function

Setting manner : potentiometer

It may take times to adjust values before they satisfy your need.



(1)Detection range setting (sensitivity)



SENS

Detection range is the term used to describe the radii of the more or less circular detection zone produced on the ground after mounting the sensor light at a height of 2.5m, turn the reach control fully anticlockwise to select minimum reach (approx.2m radii), and fully clockwise to select maximum reach (approx. 10m radii).

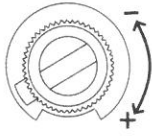
NOTE: the above detection distance is gained in the case of a person who is between 1.6m~1.7m tall with middle figure and moves at a speed of 1.0~1.5m/sec. if person's stature, figure and moving speed change, the detection distance will also change.

In different cases, the sensitivity of the lights has certain deviation.

Notice: when using this product, please adjust the sensitivity (detection range) to an appropriate value but the maximum to avoid the abnormal reaction caused by the easy detection of the wrong motion by the blowing leaves & curtains, small animals or the interference of power grid & electrical equipment. All the above mentioned will lead to the error reaction. When the product does not work normally, please try to lower the sensitivity appropriately, and then test it.

Friendly reminder: when installing two or more microwaves together, you are required to keep 4 meters one from another, otherwise the interference among them will lead to error reaction.

(2)Time setting



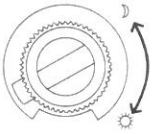
TIME

The light can be set to stay ON for any period of time between approx. 10sec(turn fully anti-clockwise) and a maximum of 12min(turn fully clockwise). Any movement detected before this time elapse will re-start the timer. It is recommended to select the shortest time for adjusting the detection zone and for performing the walk test.

NOTE: After the light switches OFF, it takes approx. 1sec before it is able to start detecting movement again. The light will only switch on in response to movement once this period has elapsed.

It is mainly for the adjustment of the delay time from the moment the signal detected and light auto-on till the light auto-off. You can define the delay time to your practical need. But you'd better lower the delay time for the sake of energy saving, since the microwave sensor has the function of continuous sensing, that is, any movement detected before the delay time elapses will re-start the timer and the light will keep on only if there is human in the detection range.

(3)Light-control setting

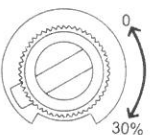


LUX

The chosen light response threshold can be infinitely from approx.10-2000LUX. Turn it fully anti-clockwise to select dusk- to-dawn operation at about 10 lux. Turn it fully clockwise to select daylight operation at about 2000lux. The knob must be turned fully clockwise when adjusting the detection zone and performing the walk test in daylight.

Note: Please don't adjust the three functional buttons to excess. That is because the three functional buttons were connected to the components directly, there is a small stopper in each of the three components, when you adjust the buttons from start to end, the excessive turn will damage the stopper, and lead to the 360°non-stop turn around. Theadjust range limit is 270°, please do pay attention to this.

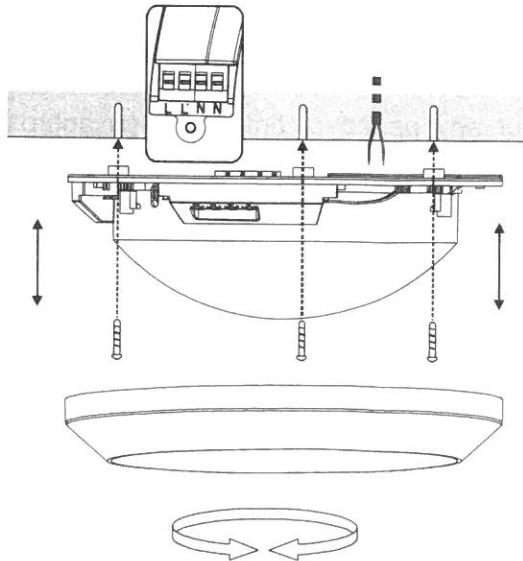
(4)Percentage dimmable lighting



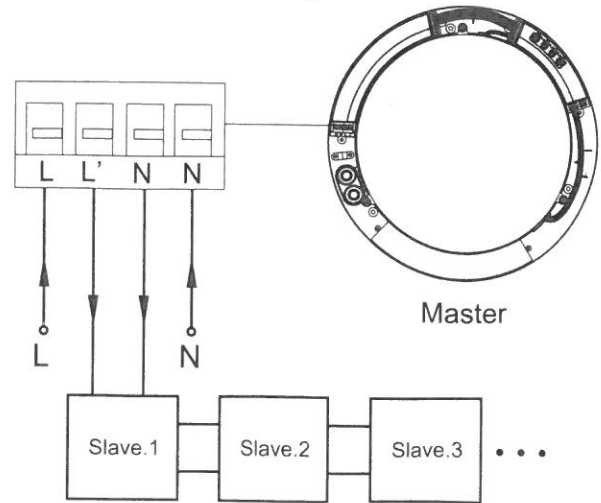
DIM

It can be defined in the range of 0%~30%. When the ambient light is less than 70 lux, the system starts dimming mode. If there is no signal detected during the delay time, it will enter the percentage lighting. Once signal detected, it recovers to 100% lighting. It will auto exit dimming mode, when the ambient light is over 100 lux. The dimming mode works digitally and independently.

Installation



Connection-wire diagram



Maximum load : 1A Max(100-240V/AC)
The valid distance of series connection is within 5 m.



Warning!

1. Please keep it away from the children.
2. Please avoid fire/high temperature/damp places for installation.
3. Please confirm when shut off the power cord access.

Fault and the solution

Fault	Failure cause	Solution
Does not work with the load	Light-illumination set incorrectly, the load is broken	Adjust the setting of the load
	The power is off	Change the load
	There is a continuous signal in the region of the detection	Turn the power on
Work all the time with the load	The sensor have not been installed correctly	Check the settings of the detection area
When there is no a moving signal work with the load	Sensors failed to pack good cause its cannot reliably detect signal	Re-install the outer covering
	Moving signal is detected by the sensor (movement behind the wall, the movement of small objects, etc.)	Check the settings of the detection area
When there is a moving signal work with the load	The moving body is too fast or the detection area is too small	Check the settings of the detection area



Warning!

- 1.The LEDS in serial can function when all the seals installed in place.
- 2.Please don't remove or connect with other lamp when powered on.
- 3.When the LEDS in serial are damaged ,you need experienced technician to repair using the same rating LEDS.

- Please confirm with professional installation.
- For safety purposes, please cut off power before installation and removal operations.
- Any losses caused by improper operation,the manufacturer does not undertake any responsibility.

We are committed to promoting the product quality and reliability, however, all the electronic components have certain probabilities to become ineffective, which will cause some troubles. When designing, we have paid attention to redundant designs and adopted safety quota to avoid any troubles.

This instruction, without our permission, should not be copied for any other purposes.