

pdlux® LED lights Instruction

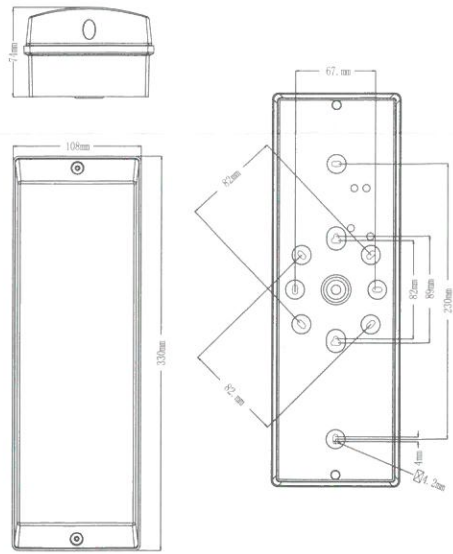


LX-330L

| Packing list in | Quantity |
|---|----------|
| Digital intelligent microwave sensor LED lights | 1X |
| $\phi 6$ Plastic expansion | 2X |
| 3x30 Screw | 2X |
| Instructions | 1X |

IP 65

Product size



Specifications

Power source: 110-130V/AC 220-240V/AC
 Power frequency: 50/60Hz
 Rated load: 5/10W Max.

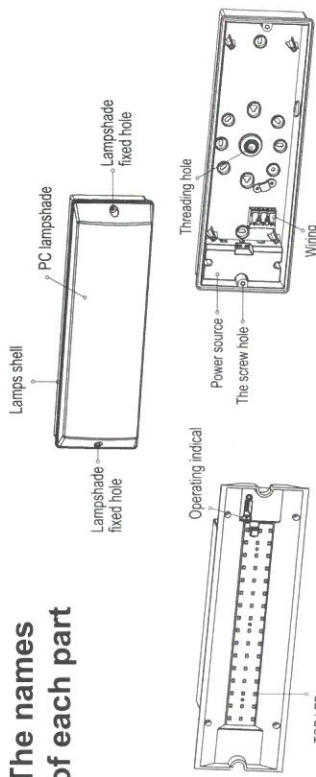
Luminous flux: 450 lm (5W) 900 lm (10W)
 LED quantity: 48PCS(T2835)
 Material: Boden:PC Lampshade:PC
 Working temperature: $-10^{\circ}\text{C} \sim +40^{\circ}\text{C}$

Protection: IP65
 Working humidity: $<95\%\text{RH}$
 Installation height: 1.5-4m (wall installation)
 2.5-6m (ceiling mounting)

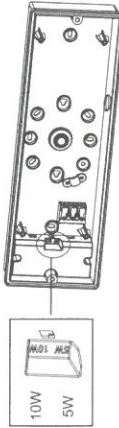
Summary

As a modern illuminant, LED has become a development trend in the lighting industry due to the characteristics of high efficiency, long life expectancy and relatively low energy consumption. How to use it reasonably and efficiency is the key issue in the lighting industry. LX-330L has 48pcs high brightness LEDs inside, with total power of 5/10 watts. The reasonable LED layout makes a homogeneous heat flow and achieves the most optimized luminous efficiency. The light IP rating is IP65, it's good waterproof product and can be widely installed in the outdoor.

The names of each part



AC selector switch



Alternating current can be adjusted on the two parameters of 5 and 10 watts, and when the switch is set to 5 watts, the lumming value is 450lm, and when the switch is set to 10 watts, the lumming value is 900lm.

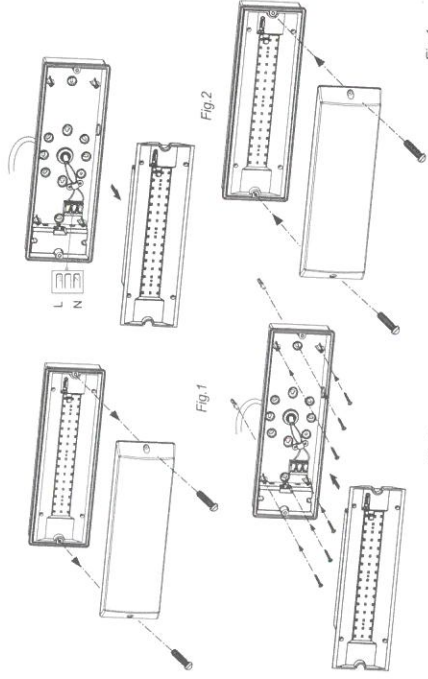
| Fault | Failure cause | Solution |
|--|---|---|
| The load fails to work. | Light illumination is set incorrectly. | Adjust the setting of the load. |
| The load works all the time. | The load is broken. The power is off. There is a continuous signal in the region of the detection. | Change the load. Turn the power on. Check the settings of the detection area. |
| The load works when there is no motion signal detected. | The lamp isn't installed well so that sensor fails to detect reliable signals. Moving signal is detected by the sensor (movement behind the wall, the movement of small objects, etc.) | Re-adjust the installation phase. Check the settings of the detection area. |
| The load fails to work when there is motion signal detected. | The motion speed is too fast or the defined detection area is too small. | Check the settings of the detection area. |

Warning!

1. Being installed on the rocking object will lead to error reaction.
 2. The shaking curtain blown by wind will lead to error reaction. Please select the suitable place to install.
 3. Being installed where the traffic is busy will lead to error reaction.
 4. The sparks produced by some equipment nearby will lead to error reaction.
- Please confirm with professional installation.
 • For safety purposes, please cut off power before installation and removal operations.
 • Please do not undertake any improper operation, the manufacturer does not undertake any responsibility.

Procedure of installation

- Step1 Remove the lampshade and the LED board before you install the lamp.(as Fig.1)
- Step2 Mark the hole position with a pencil after determining where you want to install the product.
 Note:if it is a wooden wall,there is no need to use plastic expansion screw,just fasten the screw with the screwdriver.
- Step3 Drill holes on the walls where there is pencil mark with an electric drill and get the plastic expansion inside the hole.
- Step4 Connect the cable to the lamp through the cable entry openings.(as Fig.2)
- Step5 If it is a wooden wall,there is no need to use plastic expansion, just drive the screw with the screwdriver.
- Step6 Set the LED board on the base and adjust the DIP switch.(as Fig.3)
- Step7 Fasten the cover to the lamp base which has been installed on the wall.(as Fig.4)



Warning!

1. Please keep it away from the children when installation.
2. Please avoid to be installed where the temperature is high.
3. Please cut off the power before installation.