

• A built-in light sensor to detect the day and night, if can't install the lamp in the natural light environment, the photo will be failure , a direct result of the days are easy to induction lights, lead to unnecessary energy waste. Don't adjust the too high sensitivity, lasts as long as the use of the detection range of can, avoid has nothing to do to detect moving objects cause false action.

(2)Time setting



Time Delay: mini: 6 seconds max:12 minutes. Any movement detected before this time elapse will re-start the timer. It is recommended to select the shortest time for adjusting the detection zone and for performing the walk test.

NOTE: When debugging, after once the lamp is induction lights up, don't in the sensing area is any movement. Otherwise the lamp will not go out. Only not induction area mobile timer is right under the condition of delay time.

It is mainly for the adjustment of the delay time from the moment the signal detected and light auto-on till the light auto-off. You can define the delay time to your practical need. But you'd better lower the delay time for the sake of energy saving, since the microwave sensor has the function of continuous sensing, that is, any movement detected before the delay time elapses will re-start the timer and the light will keep on only if there is human in the detection range.

(3)Light-control setting



The chosen light response threshold can be infinitely from approx.10LUX-daylight. Turn it fully anti-clockwise to select dusk- to-dawn operation at about 10 lux. Turn it fully clockwise to select daylight operation at about daylight . The knob must be turned fully clockwise when adjusting the detection zone and performing the walk test in daylight.

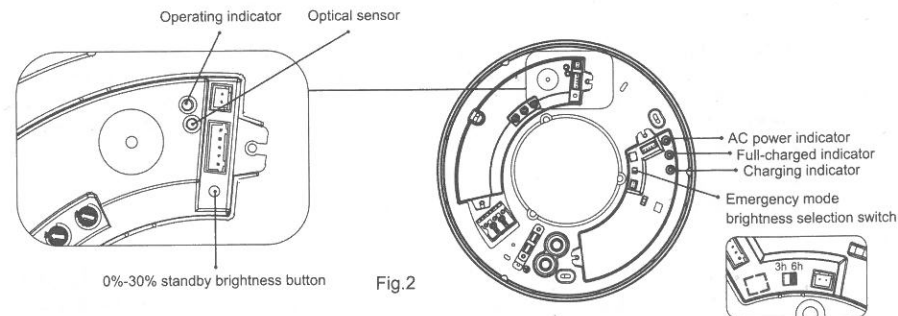
When the environment illumination exceeds the set value of the system, induction lamp will not working. Therefore this value can be set up According to user's personalized.

0% - 30% standby brightness mode

When ambient light is less than 50 lux, triggering the mode, if there are no induction, the default within the time delay between entering a set percentage of standby brightness state, to maintain this state until the detected target and enter a state of full bright, if fail to detect a target within 4 hours and lights will go out.

0%-30% standby brightness button

Brightness can through the button to adjust 0% / 10% / 20% / 0% four standby brightness, the default standby brightness is 0%, in time for the first time enter standby 10% brightness, each time you press the standby brightness sequentially, to 30% after the standby brightness according to restore to 0% standby brightness is again, in accordance with the law circle.



Indicator function

Red indicator—— AC power indicator: When connected to the AC power, the indicator lights.

Orange indicator—— Charging indicator : Indicator lights when charging and be off when full charged.

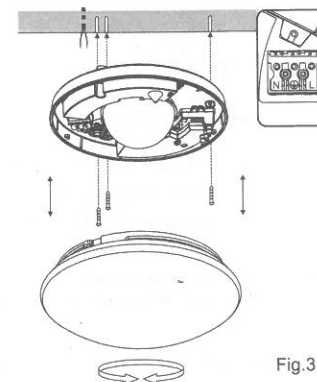
Green indicator—— Full-charged indicator : Full battery, the indicator lights.

Fault instruction: Charging indicator constantly on ; Full-charged indicator flickering, that is, there is no battery or the battery breaks down.

Emergency mode brightness selection switch : through the switch can choose the brightness of the lamp in emergency mode, sustainable supply spare batteries under normal brightness 3 hours, the backup battery under low brightness ,it can be sustainable power supply more than 6 hours.

Installation

1. Please keep it away from the children.
2. Please avoid the high temperature / humidity and the installation of moving objects.
3. Try to choose natural light to reach the position, make system of the optical sensor to detect the natural light, to ensure that the light controlled system is in the normal working conditions.
4. Please confirm the shutdown after the power supply and then install.
5. Install the test sensing function when the sensitivity is not transferred to the maximum. As long as the scope of human activities to meet the automatic induction



Fault and the solution

Fault	Failure cause	Solution
Does not work with the load	Light-illumination set incorrectly, the load is broken	Adjust the setting of the load
	The power is off	Change the load
	There is a continuous signal in the region of the detection	Turn the power on
Work all the time with the load	The sensor have not been installed correctly	Check the settings of the detection area
When there is no a moving signal work with the load	Sensors failed to pack good cause its cannot reliably detect signal	Re-install the outer covering
	Moving signal is detected by the sensor (movement behind the wall, the movement of small objects, etc.)	Check the settings of the detection area
When there is a moving signal work with the load	The moving body is too fast or the detection area is too small	Check the settings of the detection area